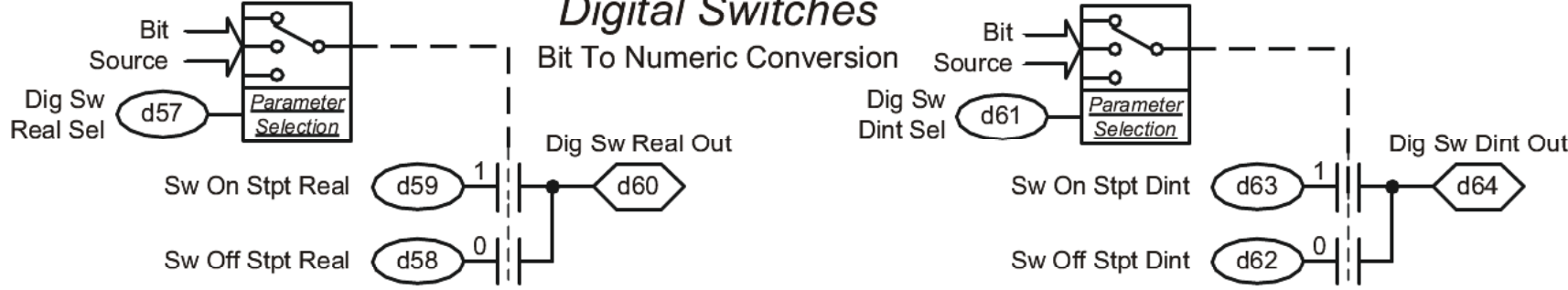


# Diagnostic Tools

## Digital Switches

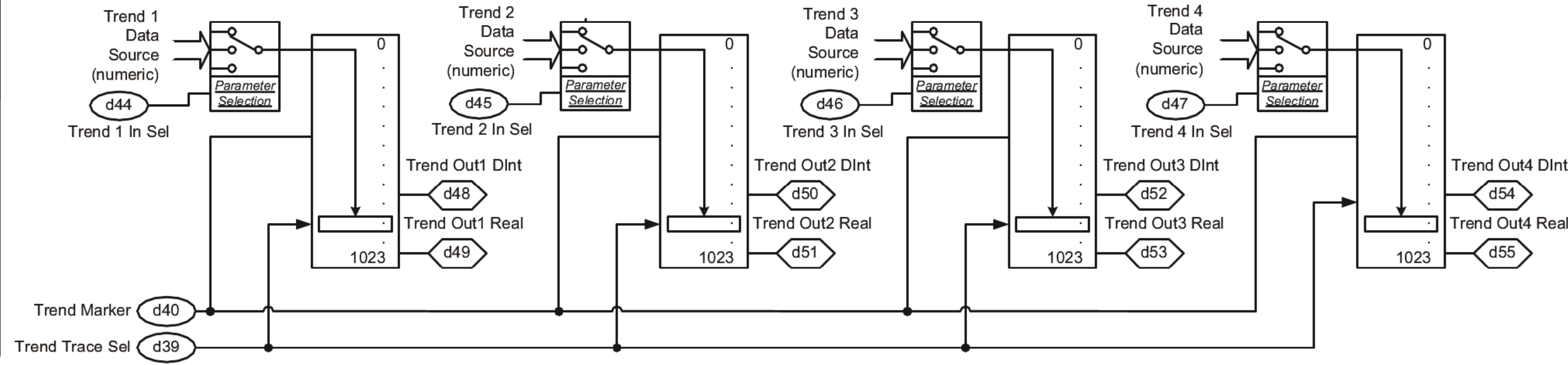
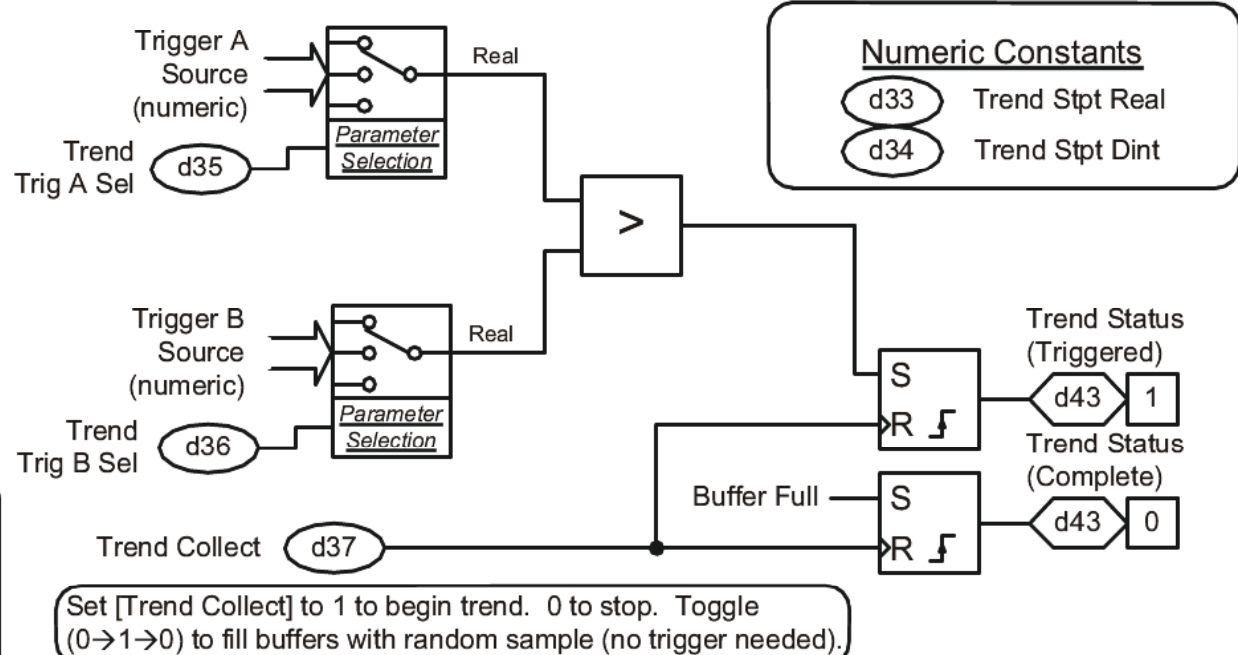


## Trending

Trend Auto Out (d38)  
Trend Rate (d41)  
Setting d38 to a non-zero value causes the trend data to auto play back at the rate entered d41 (milliseconds).

Trend1 Pre Smpl (d42)  
Trend Trace Sel (d39)  
Trend Marker (d40)

- d42 selects the number of data points to store prior to the trend trigger (pre-trigger data).
- d40 determines the marker value placed in the trend data at the beginning of the pre-trigger data (trigger point - d42 - 1).
- Pre-trigger data is located at negative trace select (d39) values from [- d42] to -1
- The trigger point data value is located at d39 pointer value 0
- Post-trigger data is located in positive trace select (d39) values from 0 to [+ d42]



d56 Trend State: 1=Enable Wait, 2=First Scan, 3=PreTrigger, 4=PostTrigger, 5=Disable Wait

## Peak Detect

**NOTE:**  
The change bit, Peak x Chng (where x = 1 or 2), is set TRUE if the peak detect value changes, else the change bit is set FALSE. Change is also set to FALSE if the detector is in HOLD or SET.

**Numeric Constants**  
1035 PkDtct Stpt Real  
1036 PkDtct Stpt Dint

