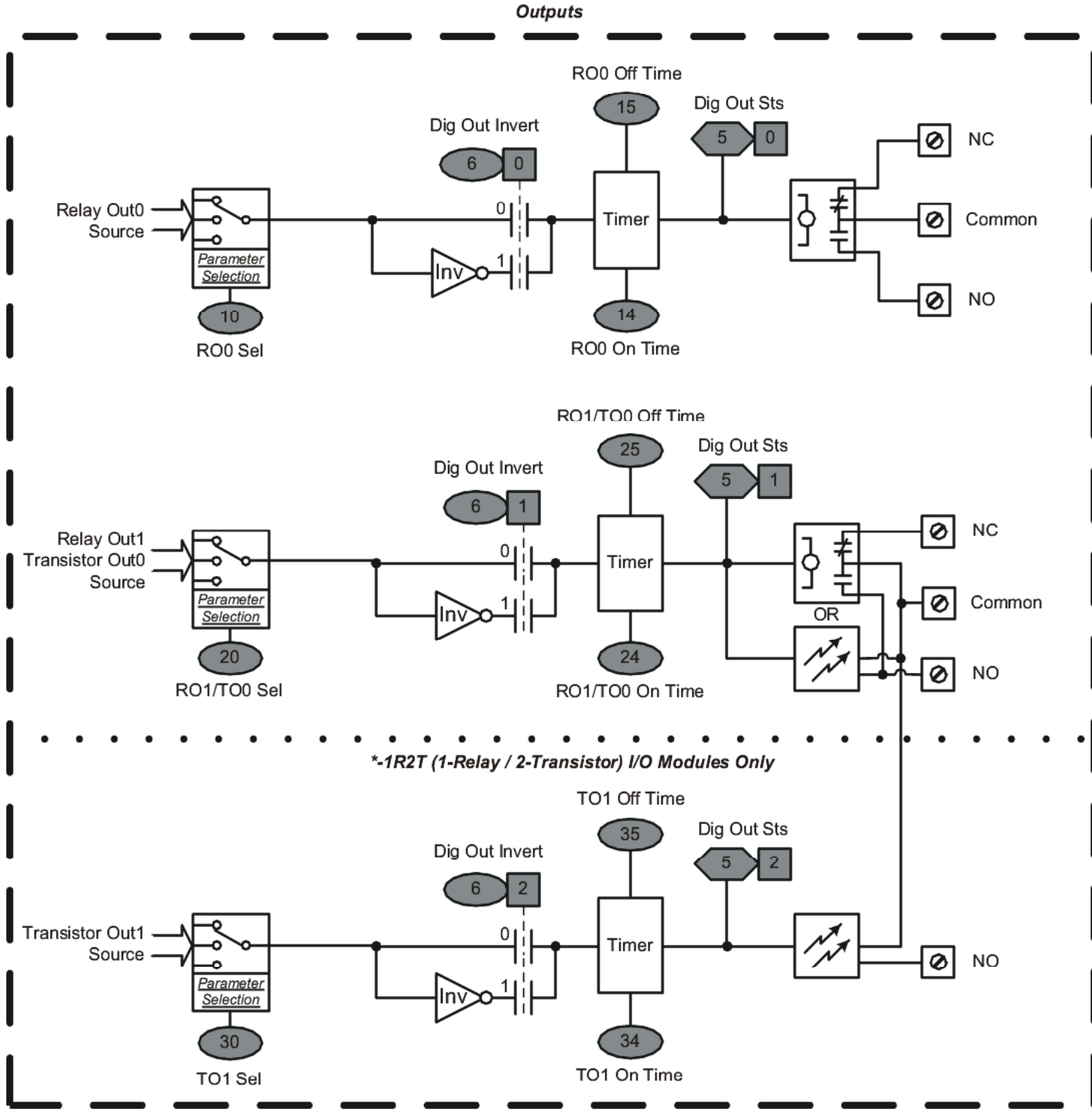
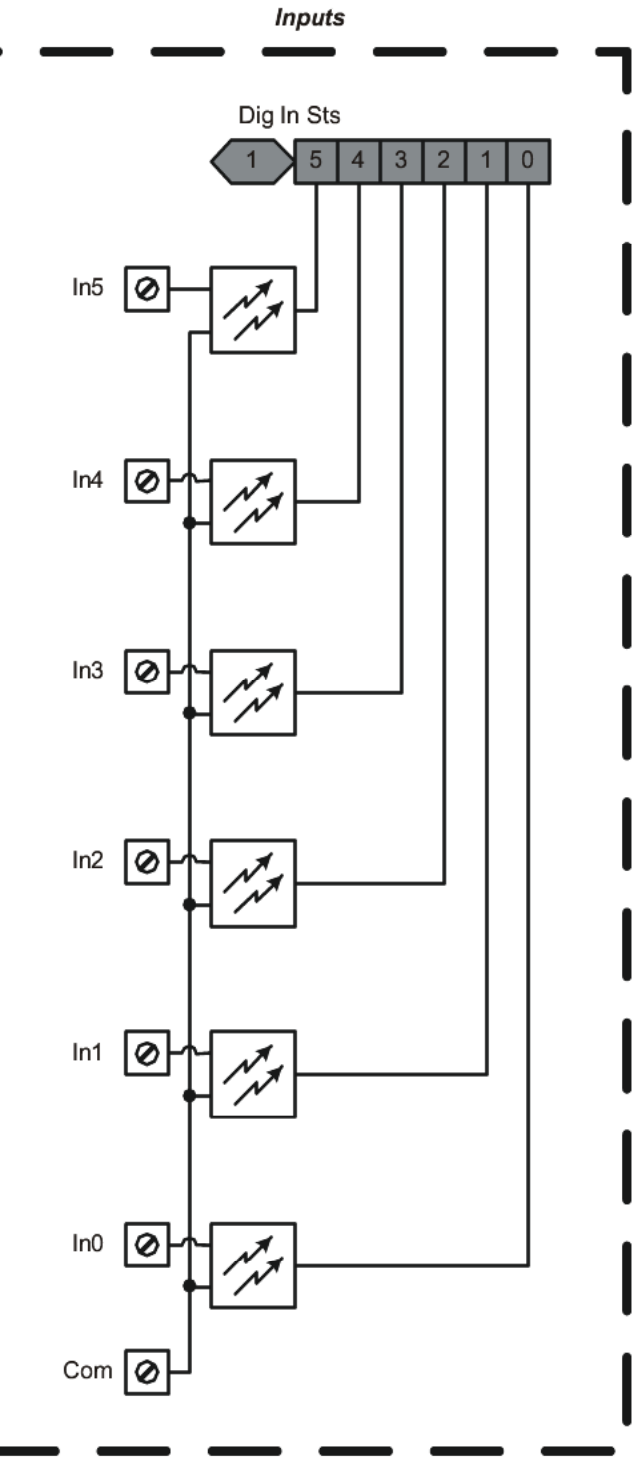
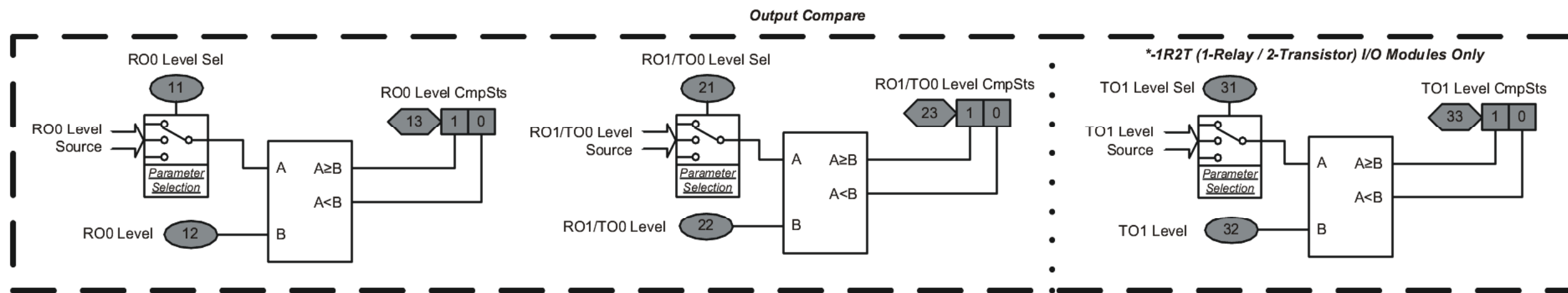


# Inputs & Outputs – Digital

Option Module Parameters – Reference Symbol Legend



\*-1R2T (1-Relay / 2-Transistor) I/O Modules Only



\*-1R2T (1-Relay / 2-Transistor) I/O Modules Only