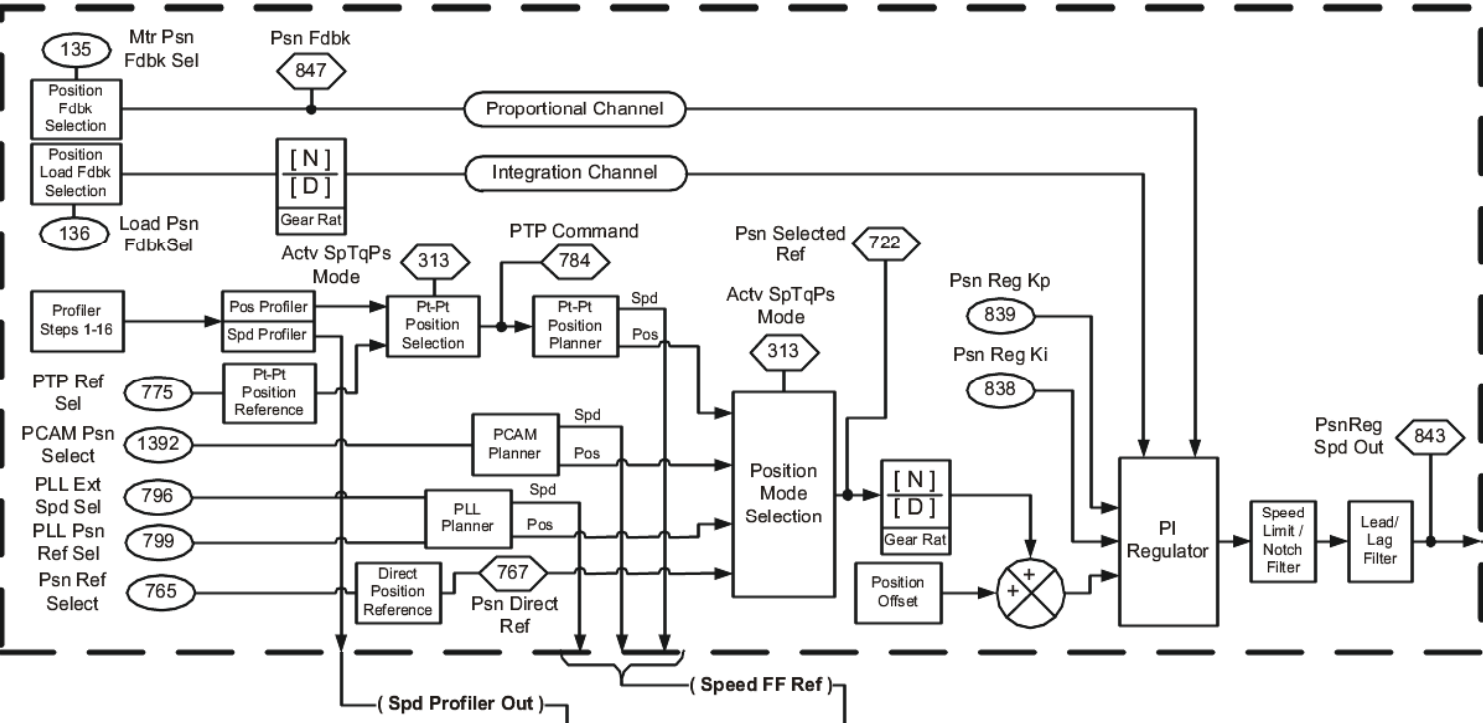
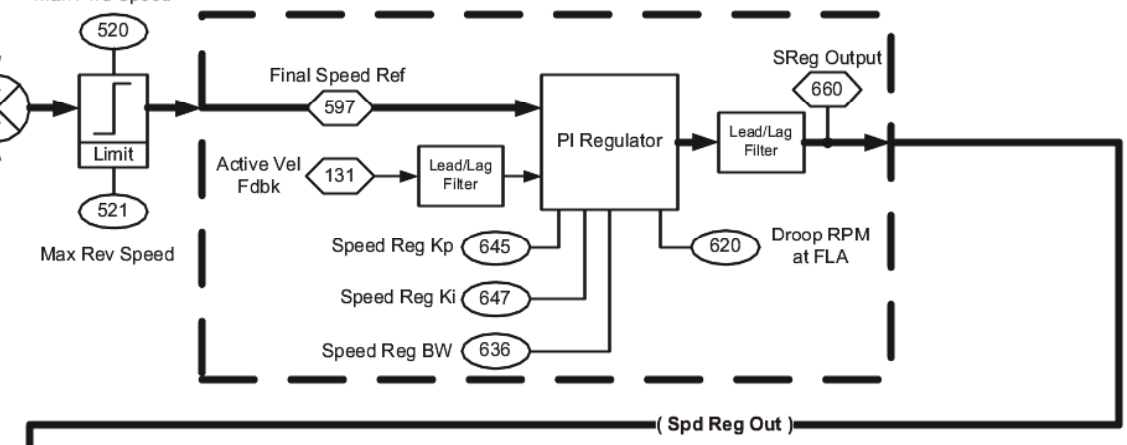


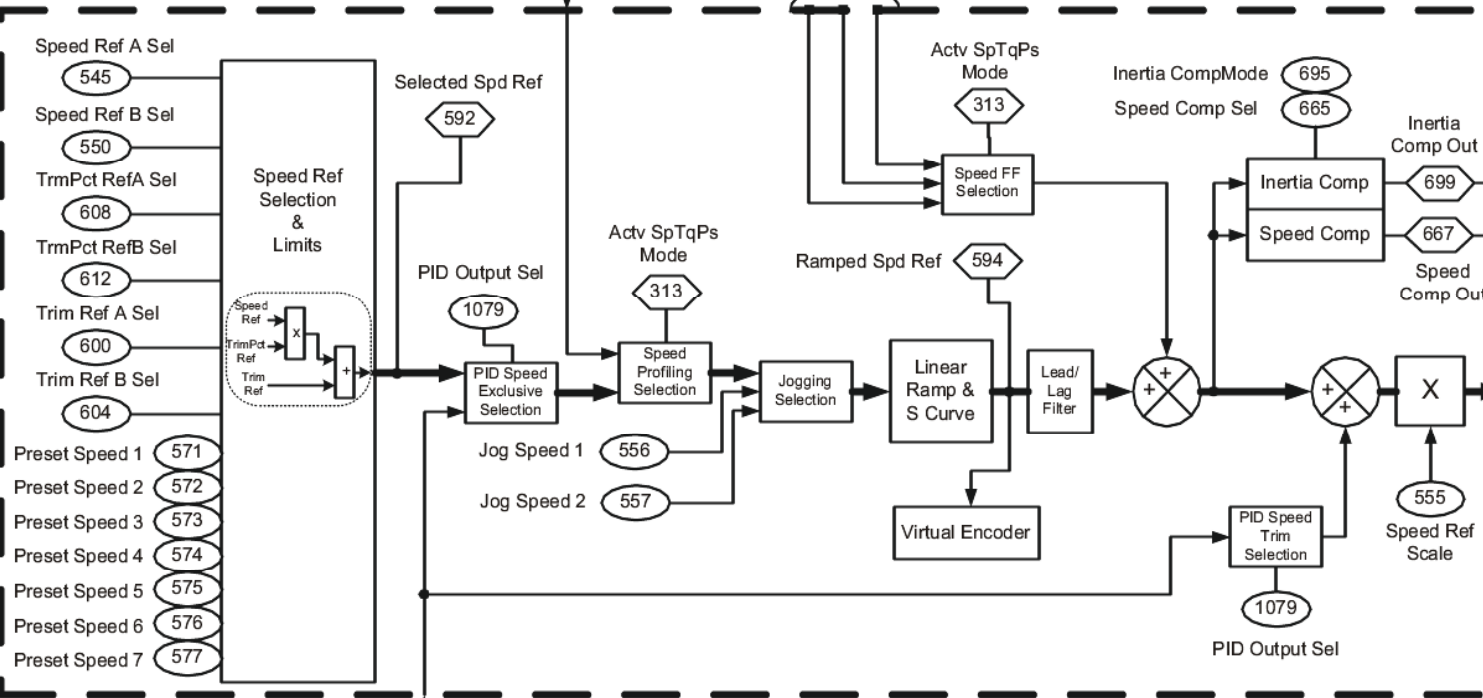
Position Control (pages: 11-17)



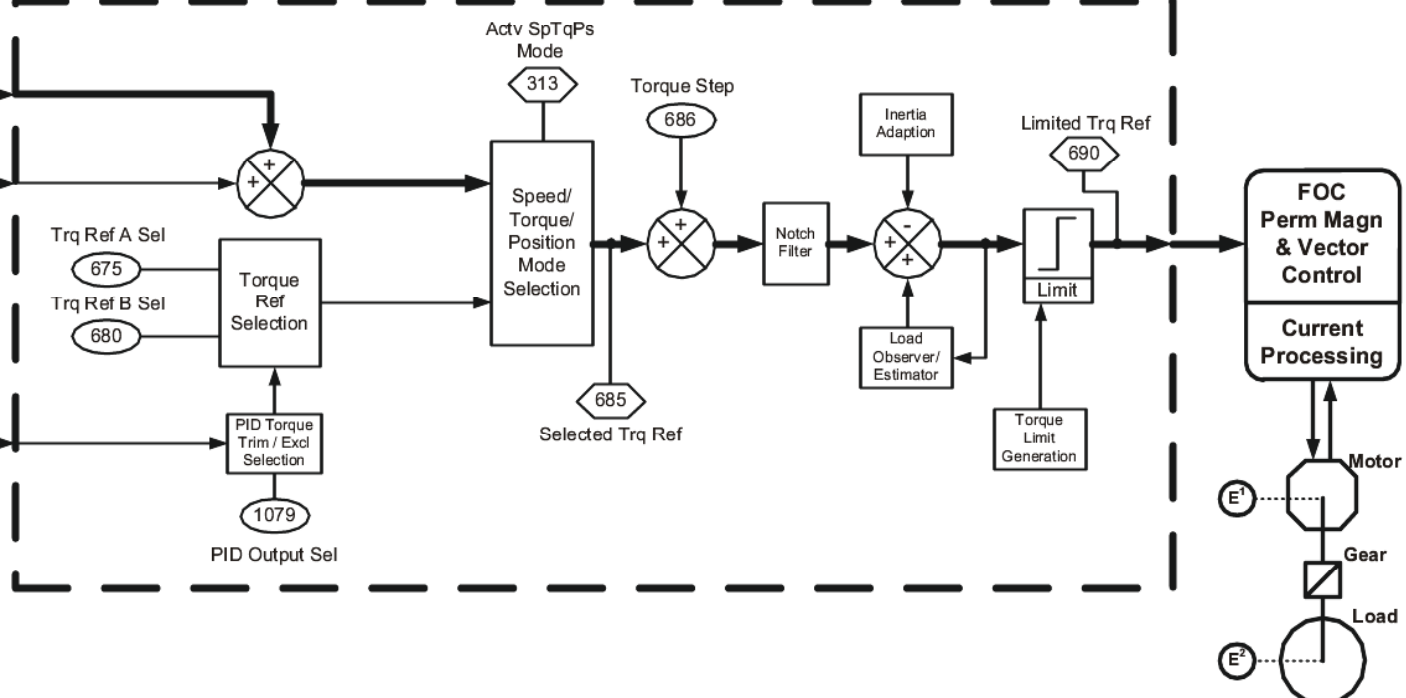
Speed Control – Regulator (page: 10)



Speed Control – Reference (pages: 4-7,9)



Torque Control (pages: 18-23)



Process Control (pages: 24,25)

