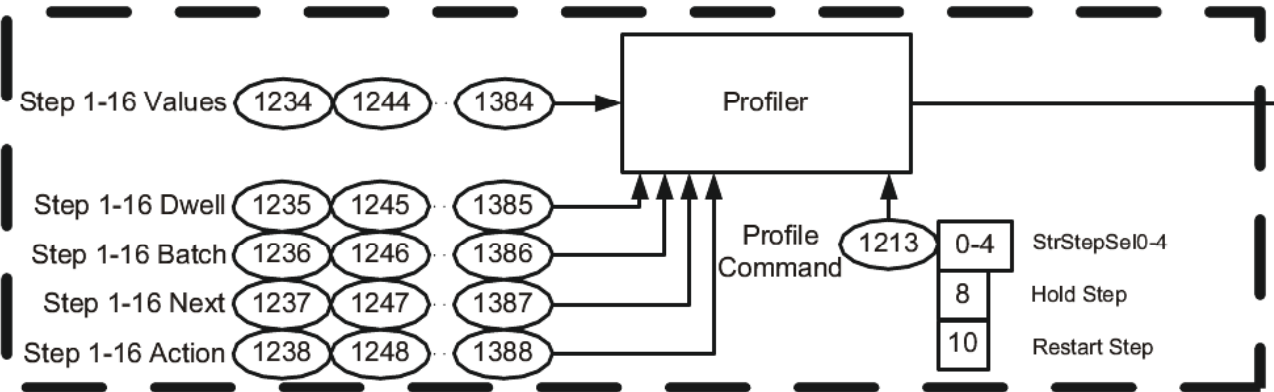
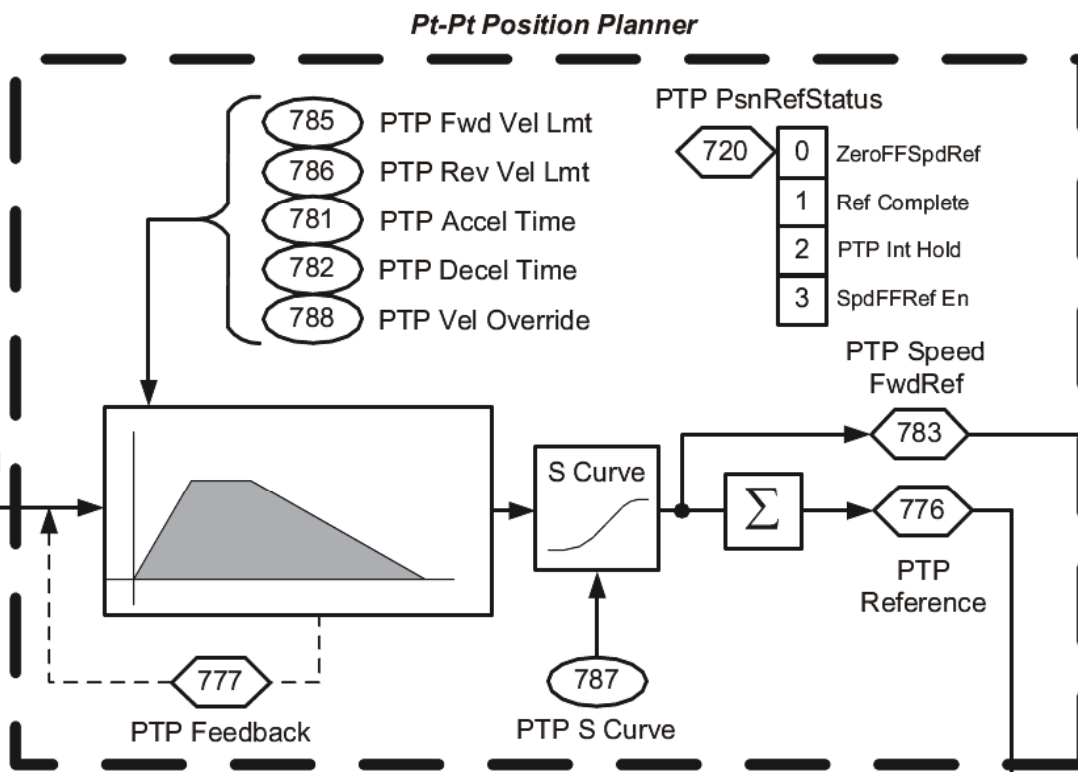


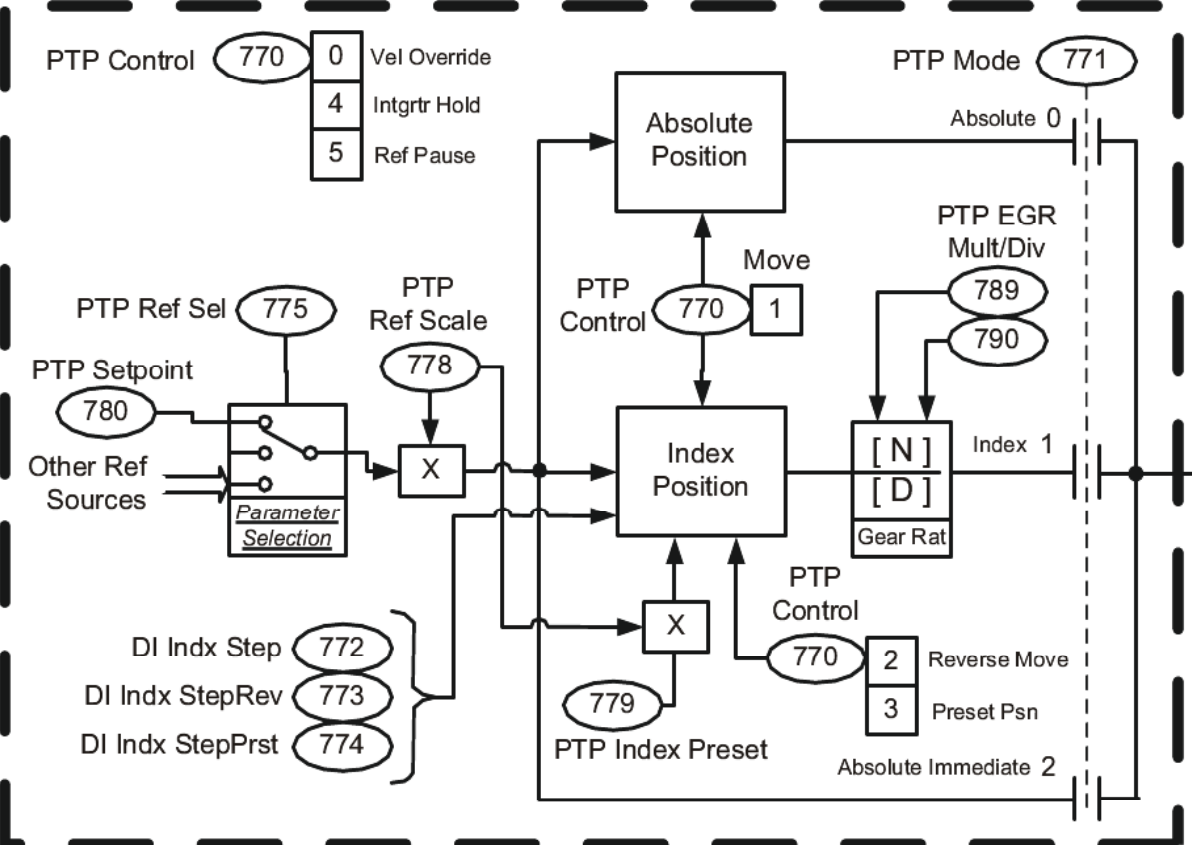
Profiler Reference & Interpreter



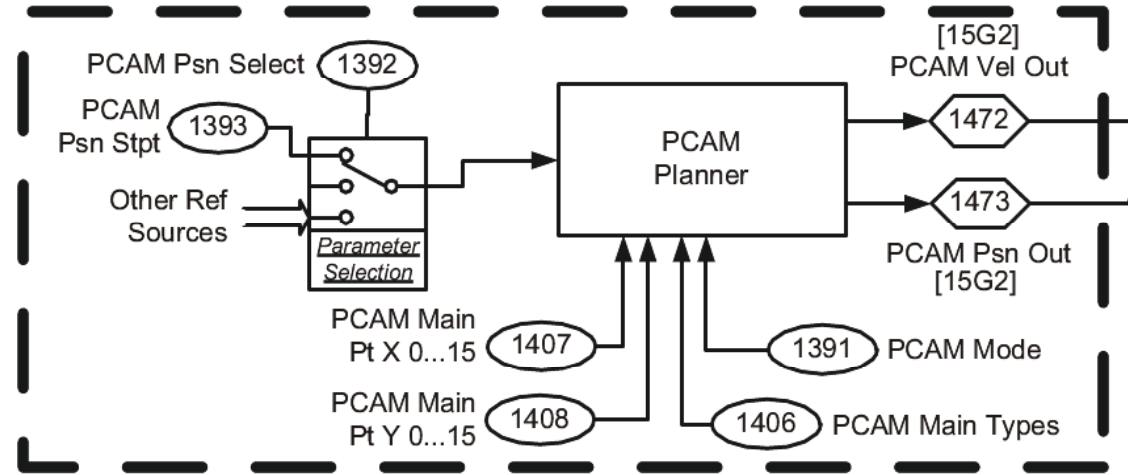
Position Control – Reference



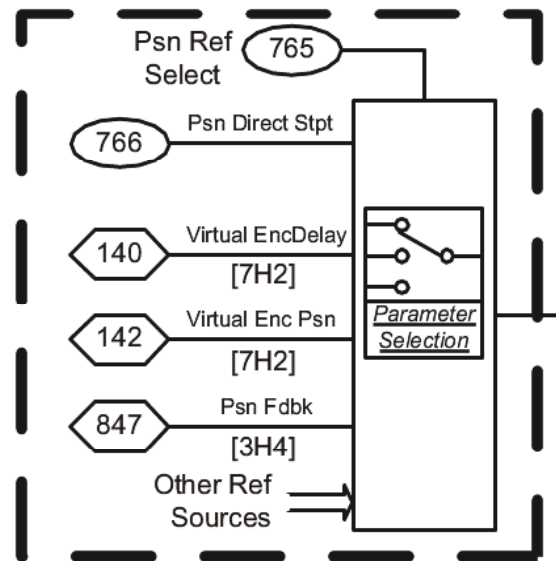
Pt-Pt Position Reference & Interpreter



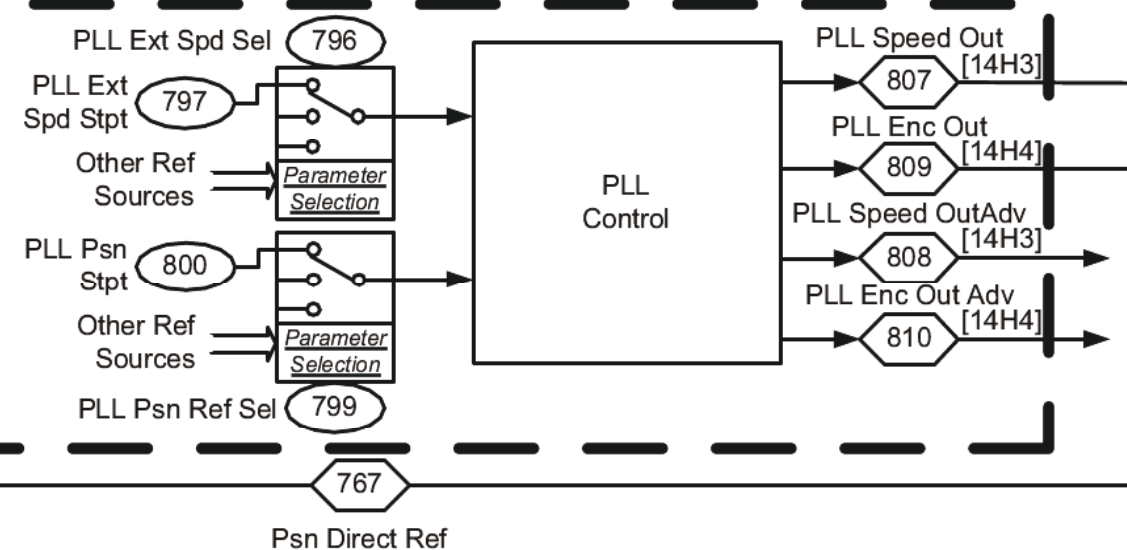
PCAM Planner



Direct Position Reference Selection



PLL Planner



Position Mode Selection

