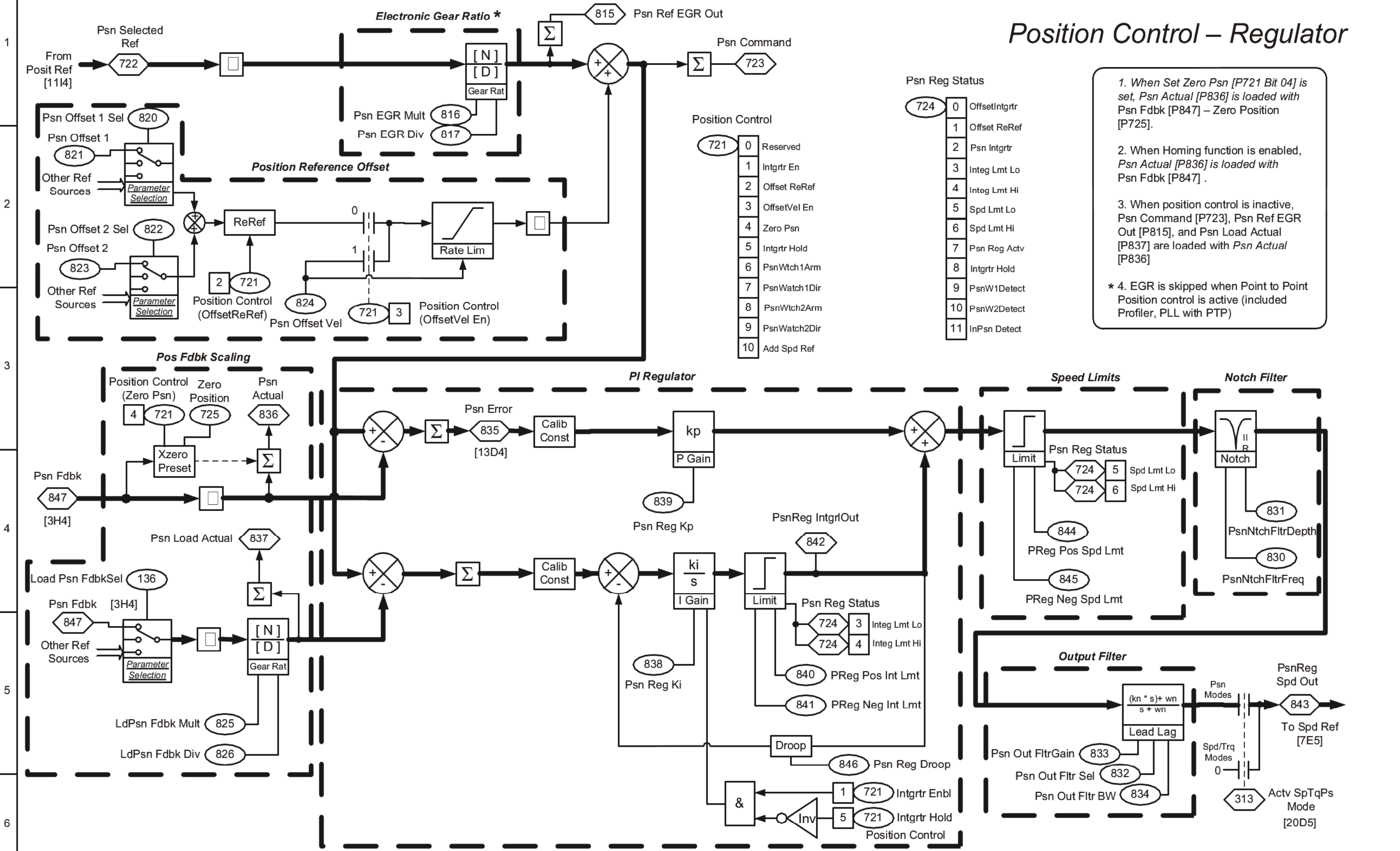


Position Control – Regulator



Psn Reg Status

724	0	OffsetIntgrtr
	1	Offset ReRef
	2	Psn Intgrtr
	3	Integ Lmt Lo
	4	Integ Lmt Hi
	5	Spd Lmt Lo
	6	Spd Lmt Hi
	7	Psn Reg Actv
	8	Intgrtr Hold
	9	PsnW1Detect
	10	PsnW2Detect
	11	InPsn Detect

1. When Set Zero Psn [P721 Bit 04] is set, Psn Actual [P836] is loaded with Psn Fdbk [P847] – Zero Position [P725].
 2. When Homing function is enabled, Psn Actual [P836] is loaded with Psn Fdbk [P847].
 3. When position control is inactive, Psn Command [P723], Psn Ref EGR Out [P815], and Psn Load Actual [P837] are loaded with Psn Actual [P836].
- * 4. EGR is skipped when Point to Point Position control is active (included Profiler, PLL with PTP)

Position Control

721	0	Reserved
	1	Intgrtr En
	2	Offset ReRef
	3	OffsetVel En
	4	Zero Psn
	5	Intgrtr Hold
	6	PsnWtch1Arm
	7	PsnWatch1Dir
	8	PsnWtch2Arm
	9	PsnWatch2Dir
	10	Add Spd Ref