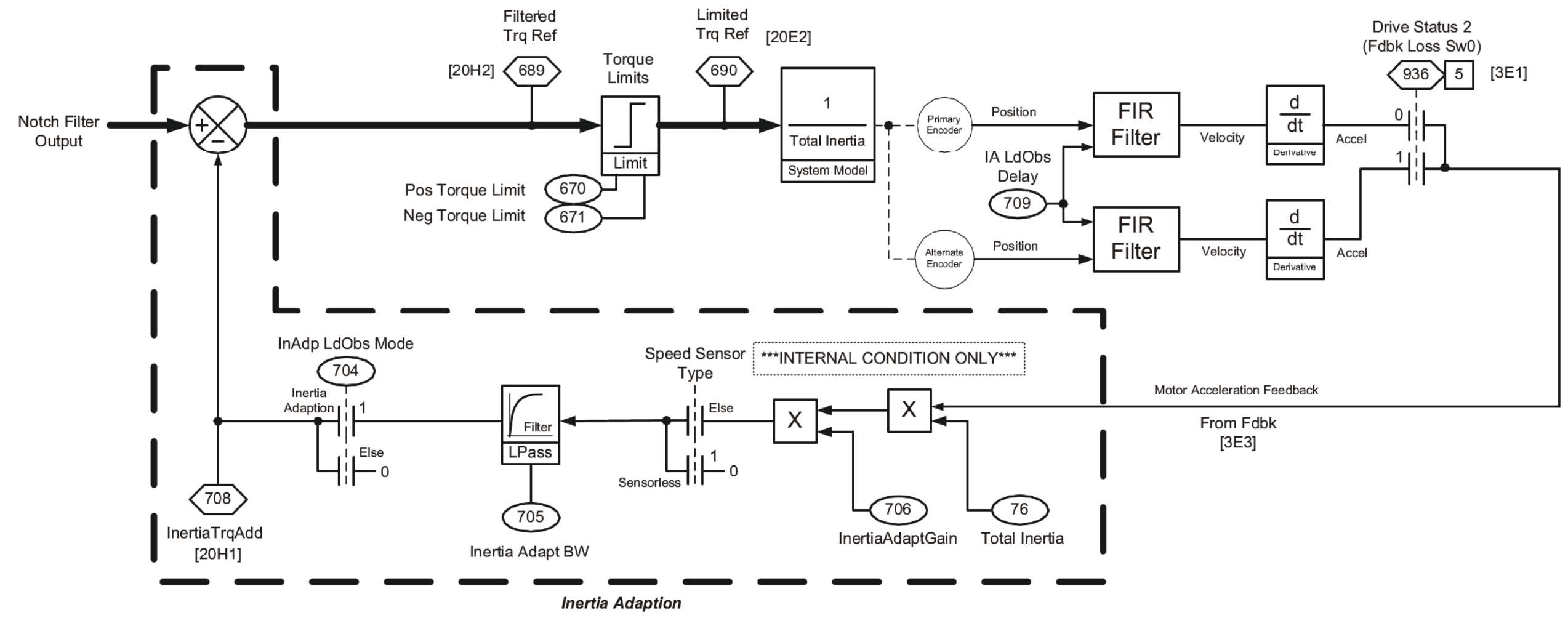


Torque Control – Inertia Adaption



1
2
3
4
5
6