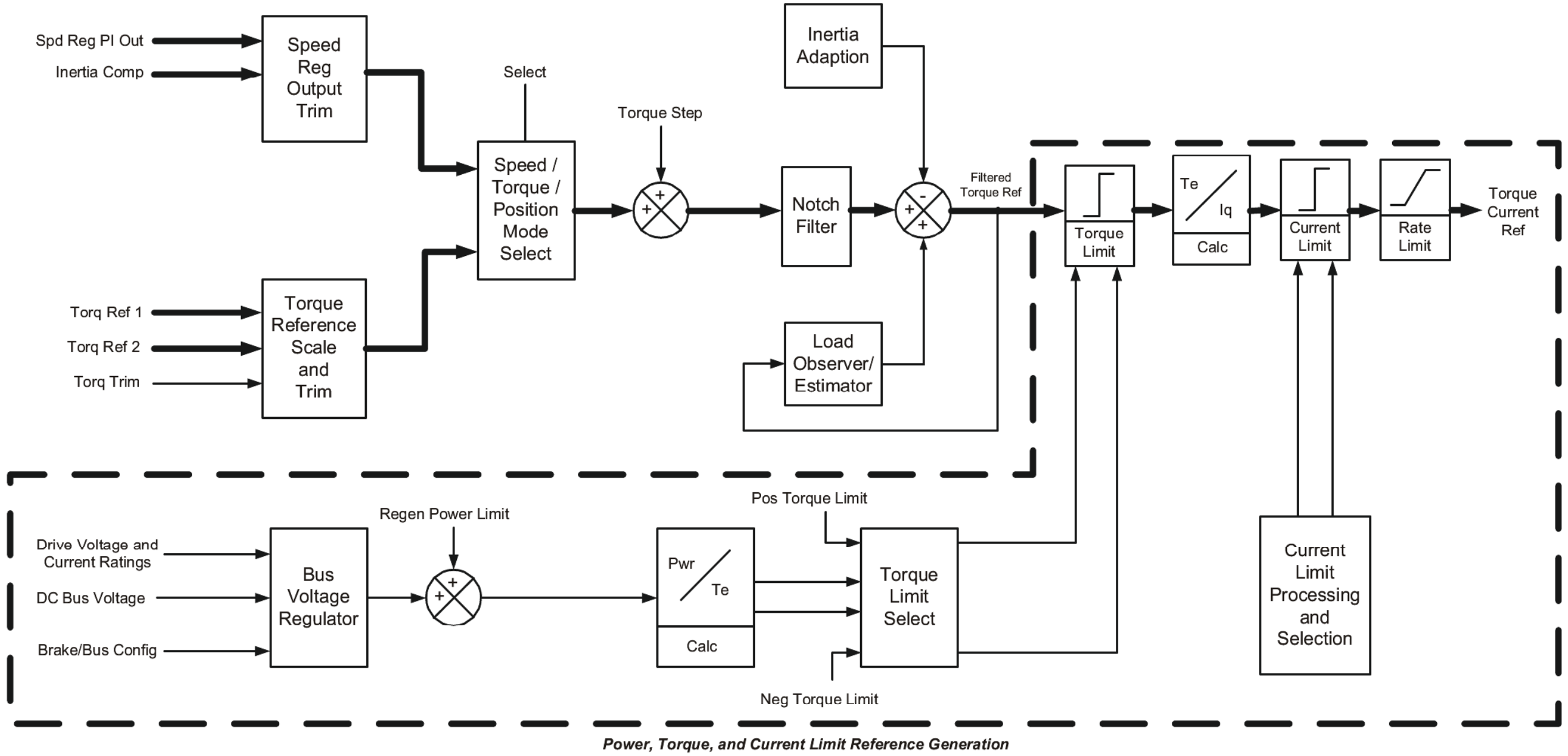


# Torque Control - Overview



Power, Torque, and Current Limit Reference Generation