

INSTRUCTION SHEET D2-3294

Remote Operator Interface Module (OIM) Mounting Kit for FlexPak 3000 Digital D-C Drives

DESCRIPTION

DANGER
<p>ONLY QUALIFIED PERSONNEL FAMILIAR WITH THE CONSTRUCTION AND OPERATION OF THIS EQUIPMENT AND THE HAZARDS INVOLVED SHOULD INSTALL, ADJUST, OPERATE, AND/OR SERVICE THIS EQUIPMENT. READ AND UNDERSTAND THIS MANUAL IN IT'S ENTIRETY BEFORE PROCEEDING. FAILURE TO OBSERVE THIS PRECAUTION COULD RESULT IN SEVERE BODILY INJURY OR LOSS OF LIFE.</p>

The products described in this instruction sheet are manufactured by Reliance® Electric Industrial Company.

This instruction sheet applies to an optional kit for installing the FlexPak® 3000 controller's Operator Interface Module (OIM) to a remote location. This kit is intended to allow the OIM to be mounted on enclosure doors housing FlexPak 3000 controllers. Each kit is supplied with a self-sticking gasket, extension cable and the necessary mounting hardware.

Remote OIM kit model numbers are listed in Table 1.

Table 1 - Remote OIM Kit Model Numbers

Horsepower Range	Reliance Model Number
1.5-60 HP @ 230/460 VAC	905FK0101

RECEIVE AND ACCEPT THE SHIPMENT

Reliance Electric's terms of sale, in all instances, are F.O.B. point of origin. The user is responsible for thoroughly inspecting the equipment before accepting shipment from the transportation company.

If all the items called for on the bill of lading or on the express receipt are not included, or if any items are obviously damaged, do not accept the shipment until the freight or express agent makes an appropriate notation on your freight bill or express receipt. If any concealed loss or damage is discovered later, notify your freight or express agent within 15 days of receipt and request that he make an inspection of the shipment. Keep the entire shipment intact in its original shipping container.

The user is responsible for making claim against the Carrier for any shortage or damage occurring in transit. Claims for loss or damage in shipment must not be deducted from the Reliance Electric invoice, nor should payment of the invoice be withheld while awaiting adjustment of such claims, since the Carrier guarantees safe delivery.

File a Return Request

- To return equipment, send a written request to Reliance Electric within ten days of receipt.
- Do not return equipment without a numbered Equipment Return Authorization (ERA) from Reliance Electric.
- For the location of your nearest sales office, call toll free 1-800-245-4501.
- Reliance Electric reserves the right to inspect the equipment on site.

STORE THE KIT UNTIL INSTALLATION

Verify that the contents of the kit are as listed in Table 2.

After receipt inspections, repack the kit in its original shipping container with its internal packing until installation.

To ensure satisfactory operation at start up and to maintain warranty coverage, store the equipment:

- in its original shipping container in a clean, dry, safe place;
- within an ambient temperature range of -10°C to 40°C ;
- within a relative humidity range of 5 to 95% without condensation;
- away from a highly corrosive atmosphere. In harsh environments, cover the shipping/storage container.

KIT CONTENTS

The contents of the Remote Operator Interface Module (OIM) kit is listed in Table 2 and shown in Figure 1.

Table 2 - Kit Contents

Description	Qty.	Part Number
Panel	1	802273-63R
Wire Harness	1	610273-49S
Gasket	1	410273-4B
M4x16mm CCWS	4	419062-1PGK
M4 Nylox Hex Nut	4	419063-100SG

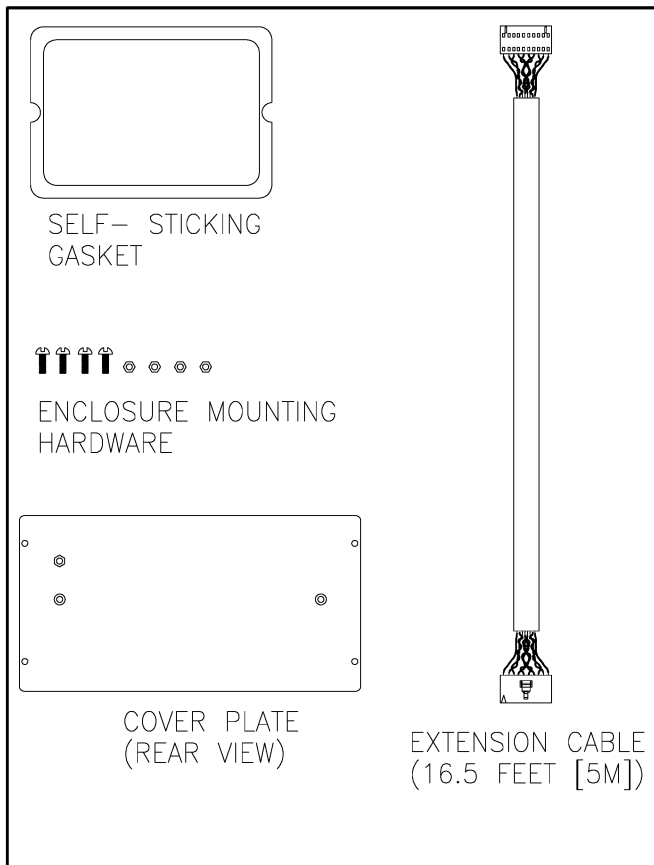


Figure 1 - Remote Operator Interface Module Kit.

Operator Interface Module Removal and Installation

DANGER

DO NOT INSTALL MODIFICATION KITS WITH POWER APPLIED TO THE CONTROLLER. DISCONNECT AND LOCK OUT INCOMING POWER BEFORE ATTEMPTING SUCH INSTALLATION. FAILURE TO OBSERVE THIS PRECAUTION COULD RESULT IN SEVERE BODILY INJURY OR LOSS OF LIFE.

OIM Removal

Refer to Figure 2.

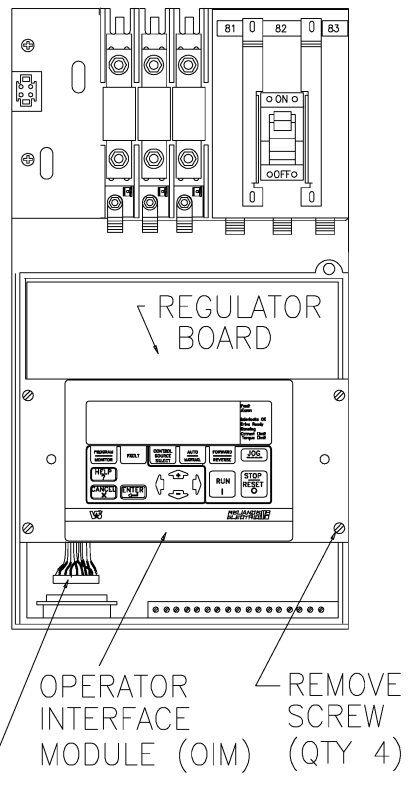
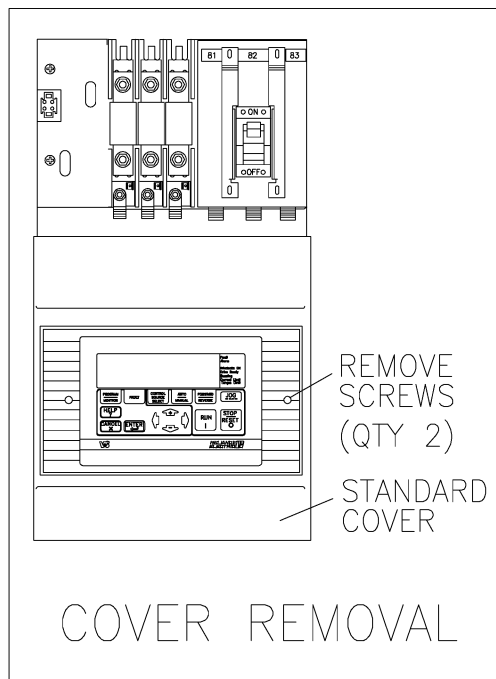
1. Turn off, Lockout and tag power to the controller.
2. Loosen the two captive screws and remove the controller's cover.
3. Disconnect the Operator Interface Module (OIM) cable from the regulator board.
4. Remove the 4 screws attaching the OIM to the controller's carrier.
5. Disconnect ground and remove the short cable from the OIM.
6. Reattach controller ground to the kit's plate.
7. Attach the plate (in place of the OIM) to the controller's carrier using the 4 carrier screws.
8. Attach the kit's OIM extension cable to regulator board connector J9 and provide appropriate strain relief support for the cable.
9. Replace controller cover and secure with screws.

OIM Mounting

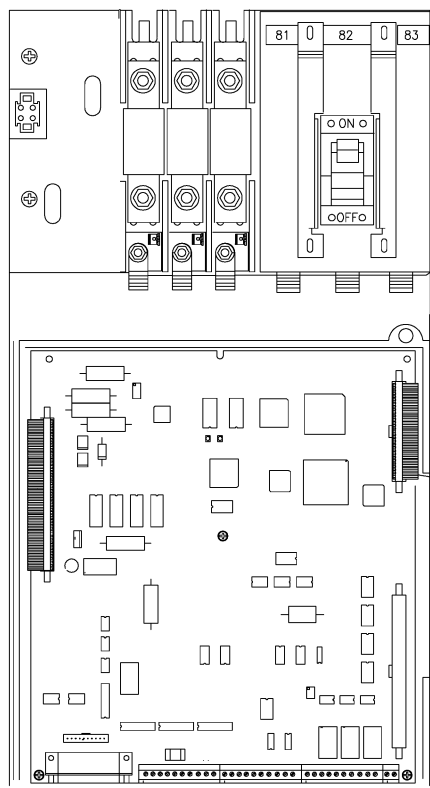
1. At the desired mounting location, drill four 5.0mm holes and cutout opening in the enclosure door for mounting the OIM. (Refer to Figure 3 as a guide for cutting opening and drilling holes.)
2. Deburr the drilled holes and cutout.
3. Remove the backing and place the kit's gasket around the large cutout on the inside of the enclosure door .
4. Place the OIM on the gasket and align the mounting holes.
5. Secure the OIM to the enclosure door using the hardware provided in the kit.
6. Attach the extension cable to the OIM and provide appropriate strain relief support for the cable.

CAUTION: The user must install an appropriate hardwired equipment ground between the Operator Interface Module (OIM), the controller and the controller's enclosure. This is to prevent electro-static discharge within the equipment. Failure to observe this precaution could result in damage to or destruction of the equipment.

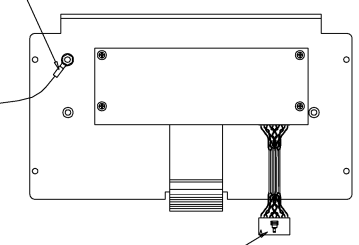
7. Connect a ground wire between the OIM grounding stud and an appropriate enclosure ground.
8. Turn on power to the controller and check for proper OEM and controller operation.



DISCONNECT OIM CABLE FROM REGULATOR BOARD



DISCONNECT GROUND FROM OIM



REMOVE CABLE FROM OIM

Figure 2 - Operator Interface Module Removal.

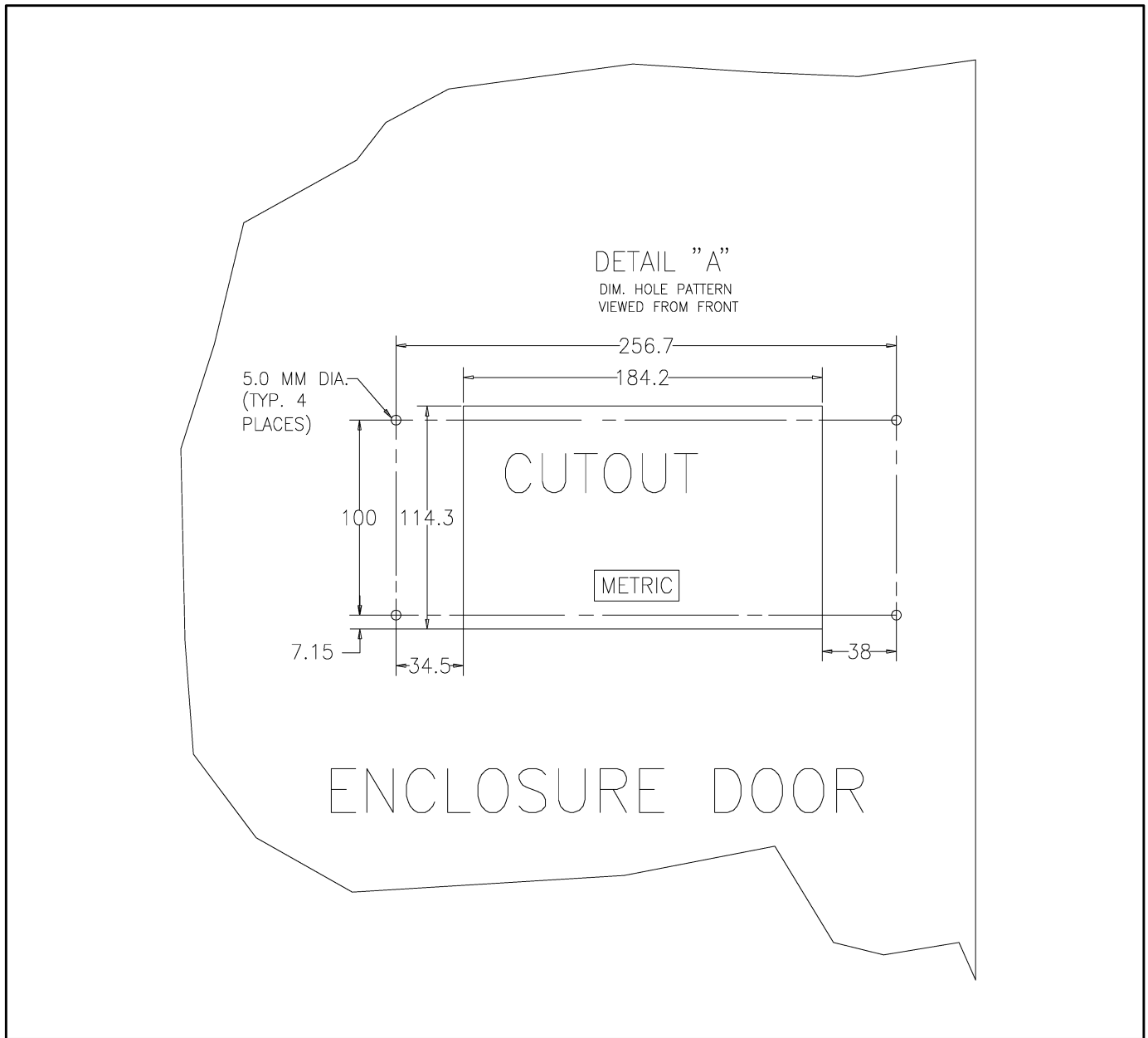


Figure 3 - Enclosure Cutout Dimensions.