

# Dynamic Braking Resistor Assembly Lifting Instructions for FlexPak 3000 DC Drives 200 HP to 600 HP @ 460 VAC

Instruction Manual D2-3429



**ATTENTION:** Do not let any part of the dynamic braking (DB) resistor assembly or the lifting mechanism make contact with electrically charged (energized) conductors, components or surfaces. At no time should a person's body or limbs be directly under the DB resistor assembly when it is being lifted. Raise or lower the DB resistor assembly slowly. Do not start and stop abruptly. Avoid high rates of acceleration or deceleration. Inspect the lifting hardware for proper attachment to the DB resistor assembly before lifting it. Failure to follow these precautions could result in bodily injury and/or damage to, or destruction of, the equipment.

## Lifting Device Rating



**ATTENTION:** DB resistors may become extremely hot. Install the DB resistor assembly in an enclosure (heat shield) or provide adequate clearance to ensure that nothing can come in direct contact with, or in proximity to, the DB resistors. Failure to observe this precaution can result in severe burns and damage to, or destruction of, the equipment.

The lifting equipment, including hooks, chains, etc. must have a minimum lifting capacity of 68 kg (~150 lb).

## Preparations Before Lifting the DB Resistor Assembly

Figure 1 illustrates the main structural features of the DB resistor assembly. Not shown, but supplied with this assembly, is an enclosure which serves as a heat shield. It should be installed after the DB resistor assembly is mounted and secured.

- Step 1. Remove the enclosure (heat shield) from the DB resistor assembly. Set the enclosure aside.
- Step 2. Prepare the mounting location as described in the Dynamic Braking Kit instruction manual (D2-3374) which ships with the Dynamic Braking kit.

## Lifting the DB Resistor Assembly

Use the following procedure to lift the DB resistor assembly.

- Step 1. Check the hole pattern on the location to which the dynamic braking assembly will be mounted.
- Step 2. Insert properly sized and rated lifting hooks (or lifting bolts with washers) into the end plate holes on the DB resistor assembly (see figure 1). To limit pull in forces on the dynamic braking assembly, the lifting devices connected to the hooks must be long enough to make the angle between the chain and a vertical line extending up from the assembly edge less than 45 degrees, as illustrated in figure 2.



Reliance and FlexPak are trademarks of Rockwell Automation.

©1998 Rockwell International Corporation

**Reliance Electric**

Step 3. Lift the DB resistor assembly into place.

Step 4. Follow the instructions in manual D2-3374 to mount the DB resistor assembly.

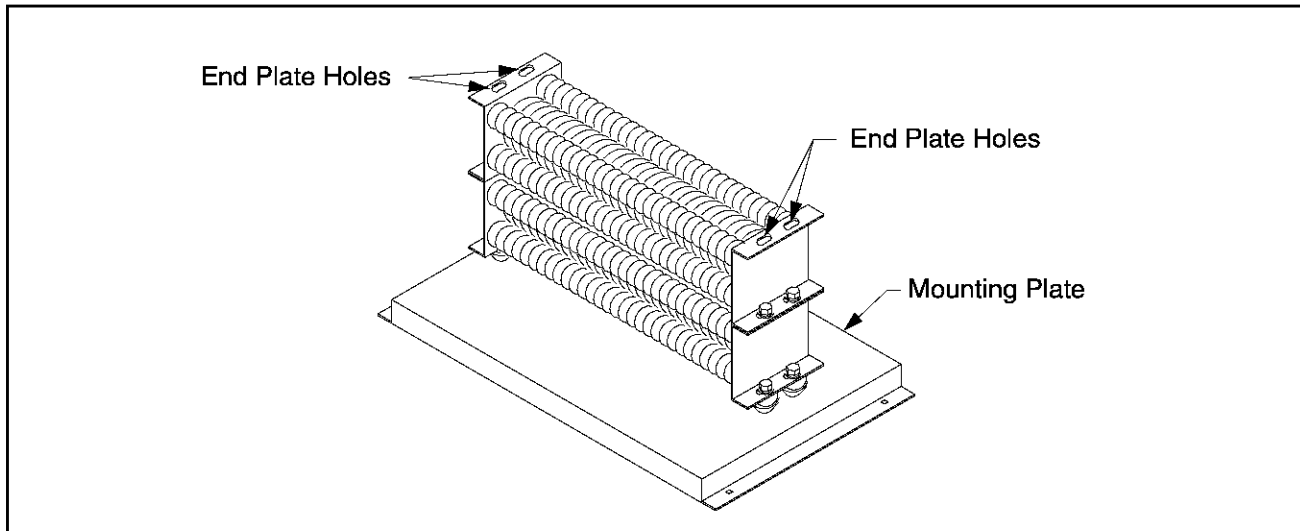


Figure 1 – DB Resistor Assembly

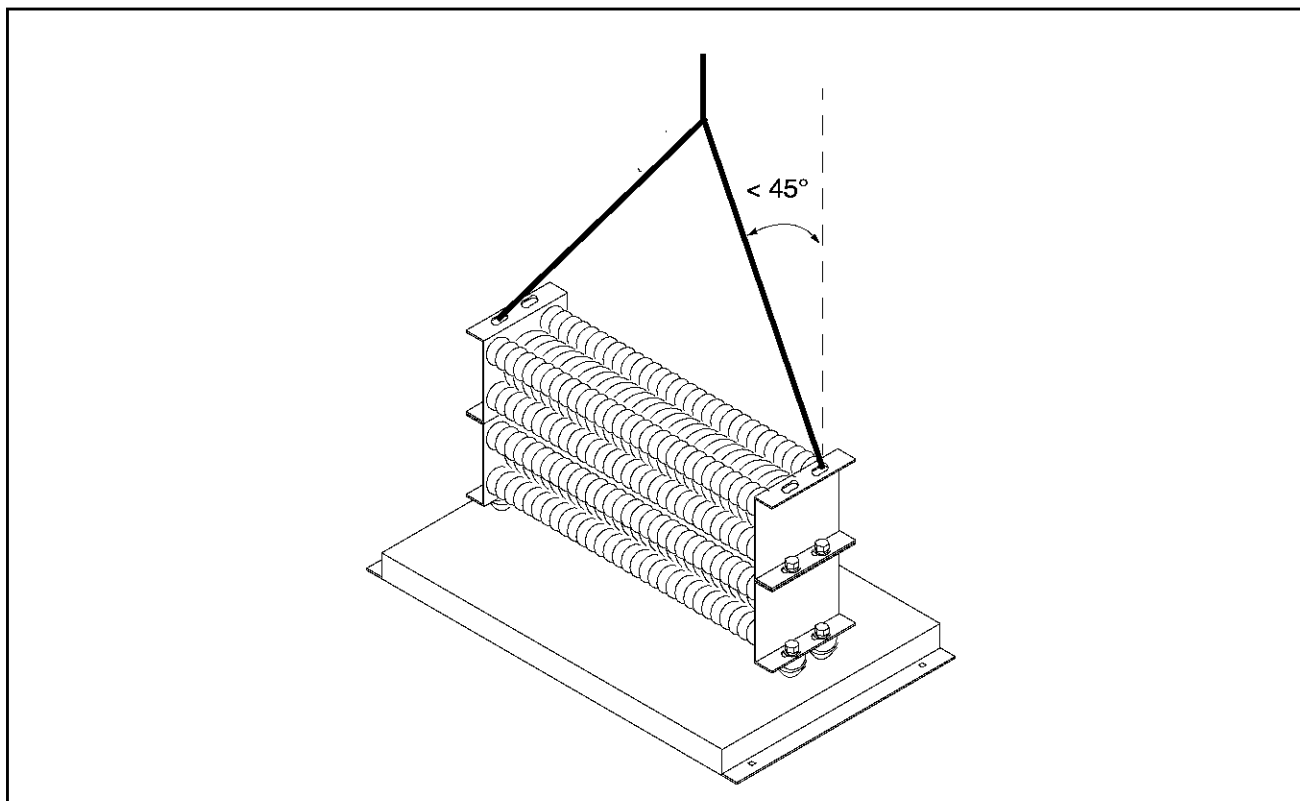


Figure 2 – Example of DB Resistor Assembly Lifting Points

Reliance Electric / 24703 Euclid Avenue / Cleveland, Ohio 44117 / (216) 266-7000

 **Rockwell** Automation

**Reliance Electric**